

D

D

C

C

B

B

A

A

4

3

2

1

4

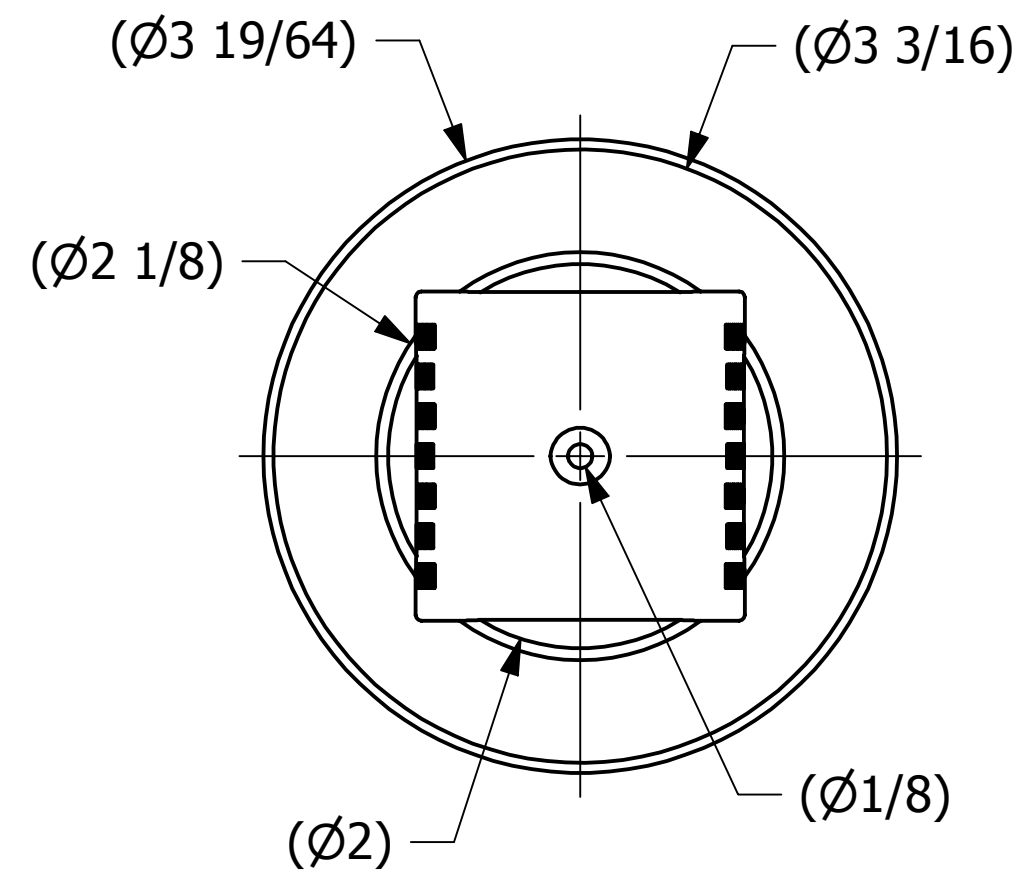
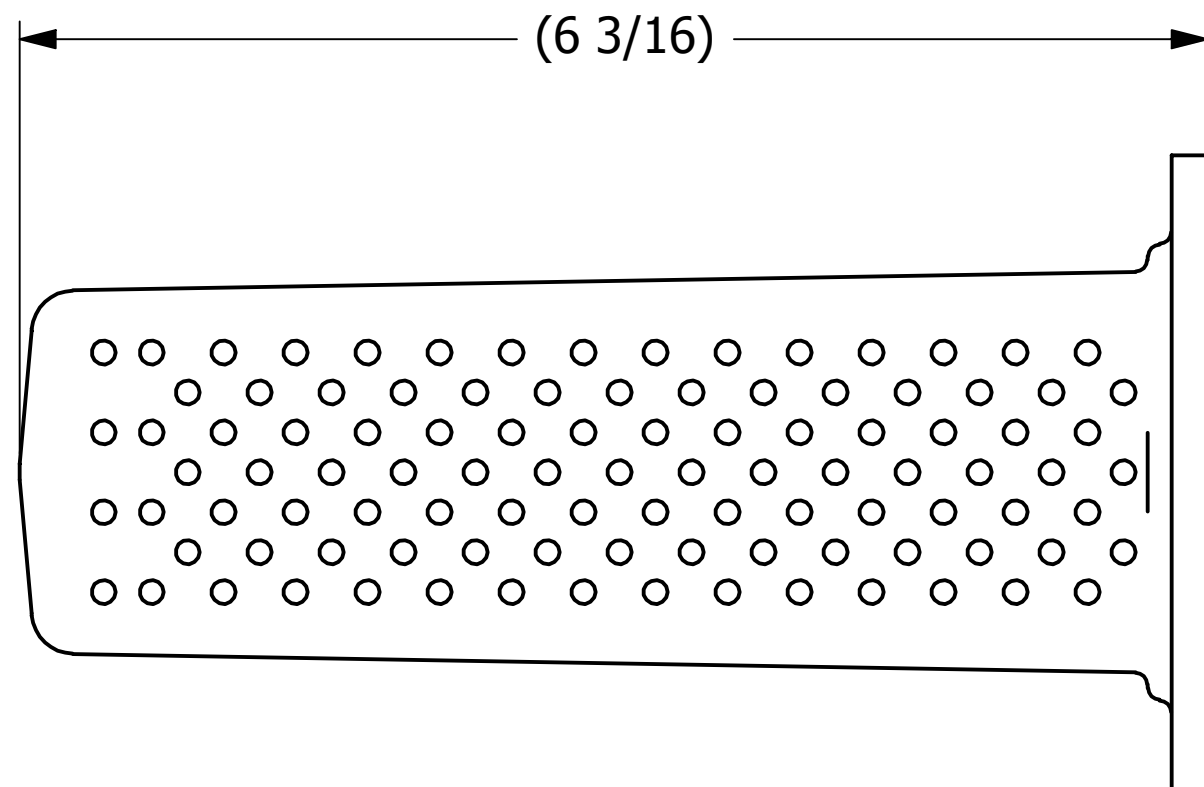
3

2

1

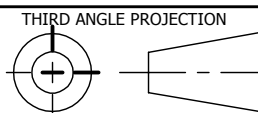
SALES DRAWING

SALES DRAWING



REV	BY	DATE	DESCRIPTION
L	TAJ	03-04-11	CHANGED AAR APPROVAL NUM FROM 989076
K	CHL	10-23-08	REMOVED CHART & ADDED QAP4F-1

<small>UNLESS OTHERWISE SPECIFIED DIMENSIONAL TOLERANCES</small> FRACTIONAL: $\pm 1/16$ X.XX: $\pm .03$ X.XXX: $\pm .015$ ANGLE: $\pm 1^\circ$	DRAWN BY:	BRW
	CHECKED BY:	VD
	PROTOTYPE BY:	BRW
	PROTOTYPE DATE:	10/27/1995
<small>THIS PRINT, PROPERTY OF SALCO PRODUCTS INC, CONTAINS PROPRIETARY INFORMATION AND MUST NOT BE COPIED, REPRODUCED, OR USED DETRIMENTALLY TO OUR INTEREST.</small>	APPROVED FOR PRODUCTION BY:	BRW
	PRODUCTION DATE:	10/27/1995



<b>SALCO PRODUCTS, INC.</b>		
PART NAME: <b>SURGE PROTECTOR</b>		
MATERIAL: <b>RYTON</b>		
PROJECT #:	SHEET #: <b>1 OF 1</b>	SCALE: <b>1:1</b>
DRAWING #: <b>C7727</b>	PART #: <b>DSP3313R</b>	